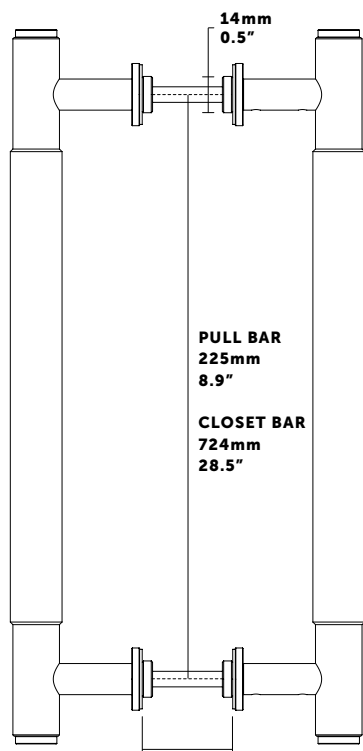


# BUSTER + PUNCH

LONDON

## PULL BAR / DOUBLE-SIDED CLOSET / DOUBLE-SIDED

### INSTRUCTION MANUAL



EN: MINIMUM/MAXIMUM DOOR THICKNESS  
FR: ÉPAISSEUR MINIMALE / MAXIMALE DE LA PORTE  
SP: ESPESOR DE PUERTA MÍNIMO / MÁXIMO

min 10mm or 0.39" - max 60mm or 2.36"

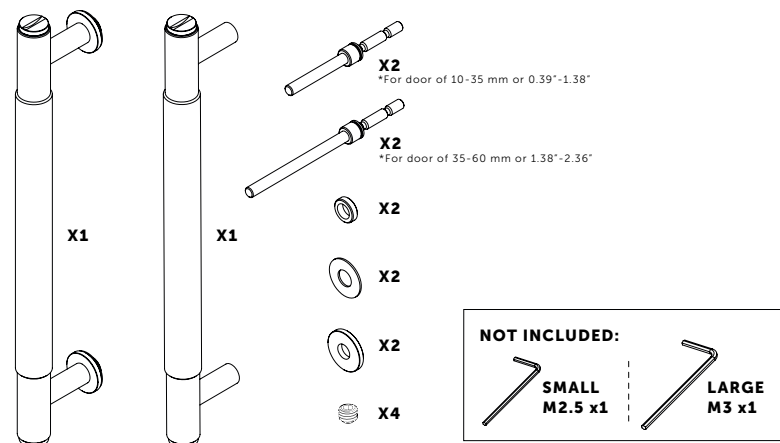
"NOT TO BE USED ON EXTERIOR DOORS, DOING  
SO WILL VOID THE WARRANTY."

BUSTERANDPUNCH.COM/JP  
L0115

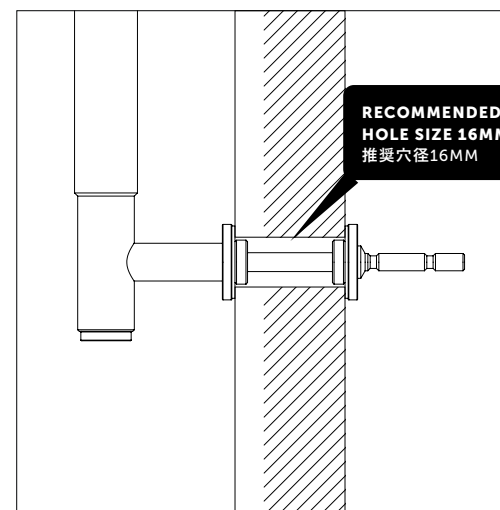


DISCLAIMER: THIS PRODUCT IS NOT SUITABLE FOR COMMERCIAL USE. PLEASE CONSULT A PROFESSIONAL WHEN INTRODUCING AND INSTALLING THIS PRODUCT. BUSTER + PUNCH HAS INSTRUCTIONS ON HOW TO USE IT AND HOW TO INTRODUCE IT. WE DO NOT TAKE ANY RESPONSIBILITY. THIS PRODUCT IS NOT SUITABLE FOR DAMP AREAS.

### CONTENTS

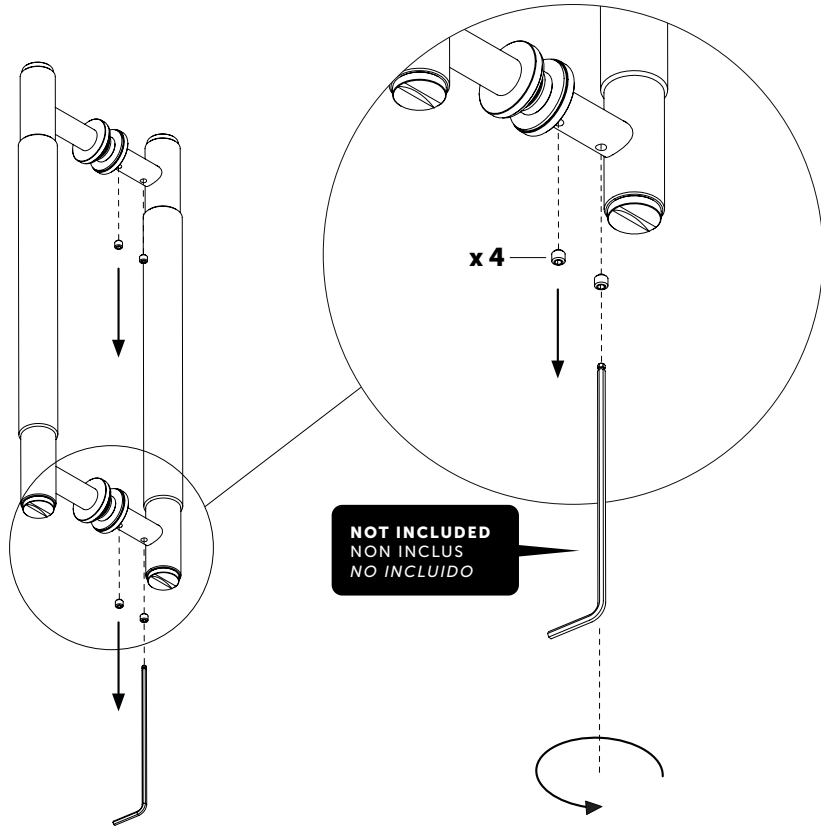


### DOOR PREPERATION

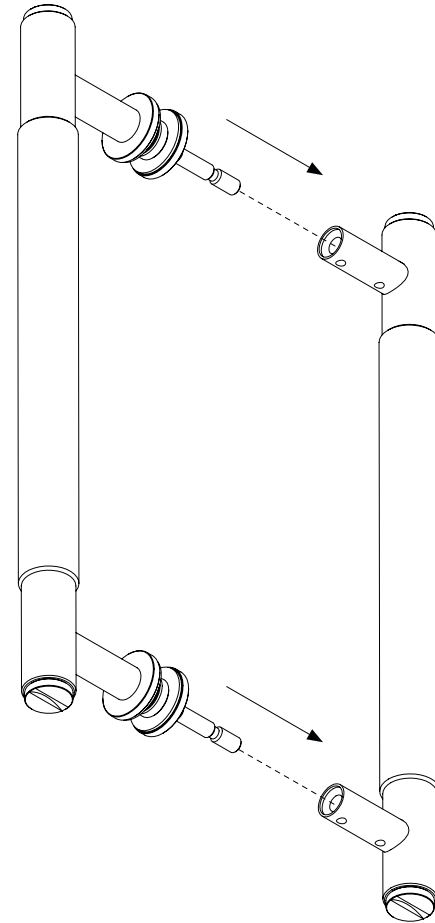


# INSTALLATION

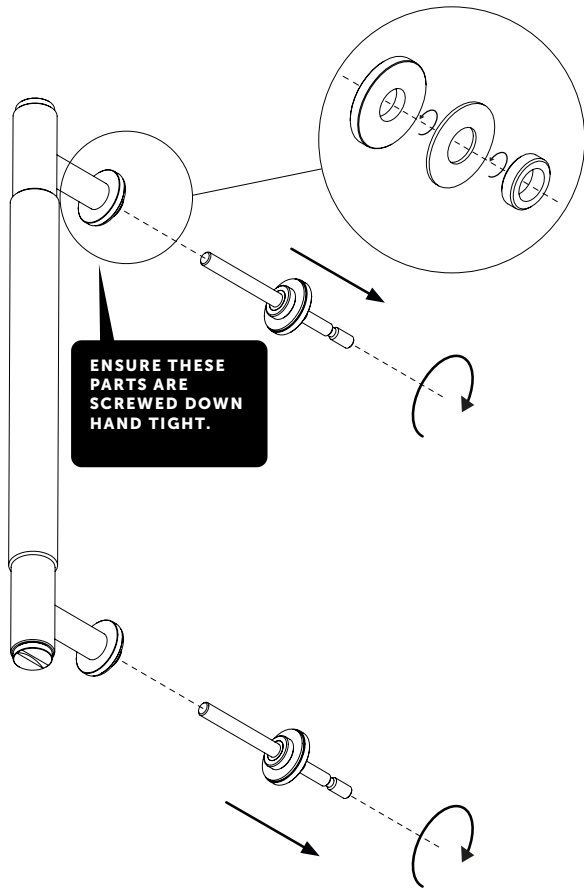
1



2

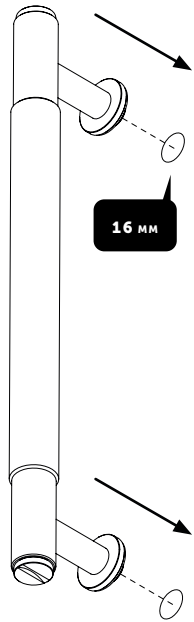


3

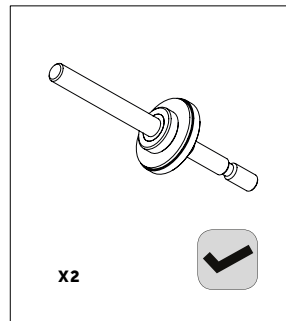


ENSURE THESE PARTS ARE SCREWED DOWN HAND TIGHT.

4



16 MM

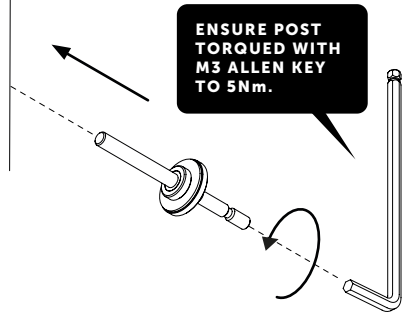
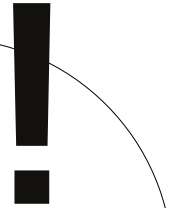


X2



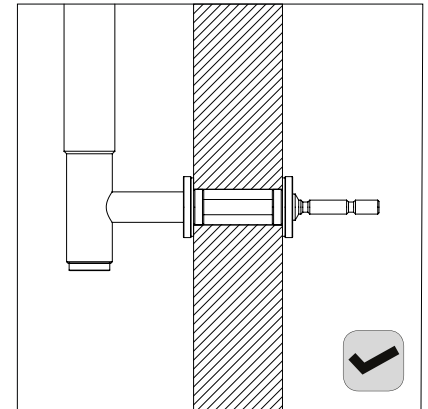
ENSURE THESE PARTS ARE SCREWED DOWN HAND TIGHT.

ENSURING THE PLASTIC COLLAR & SLEEVE ARE SECURED DOWN CORRECTLY.

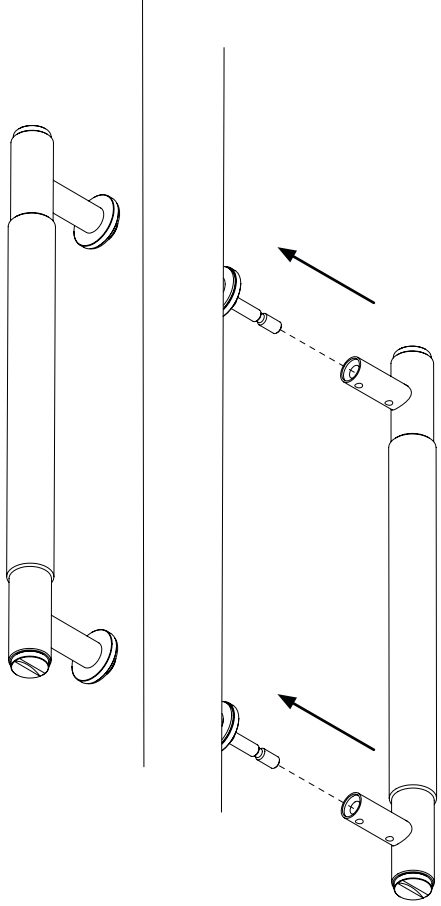


ENSURE POST TORQUED WITH M3 ALLEN KEY TO 5Nm.

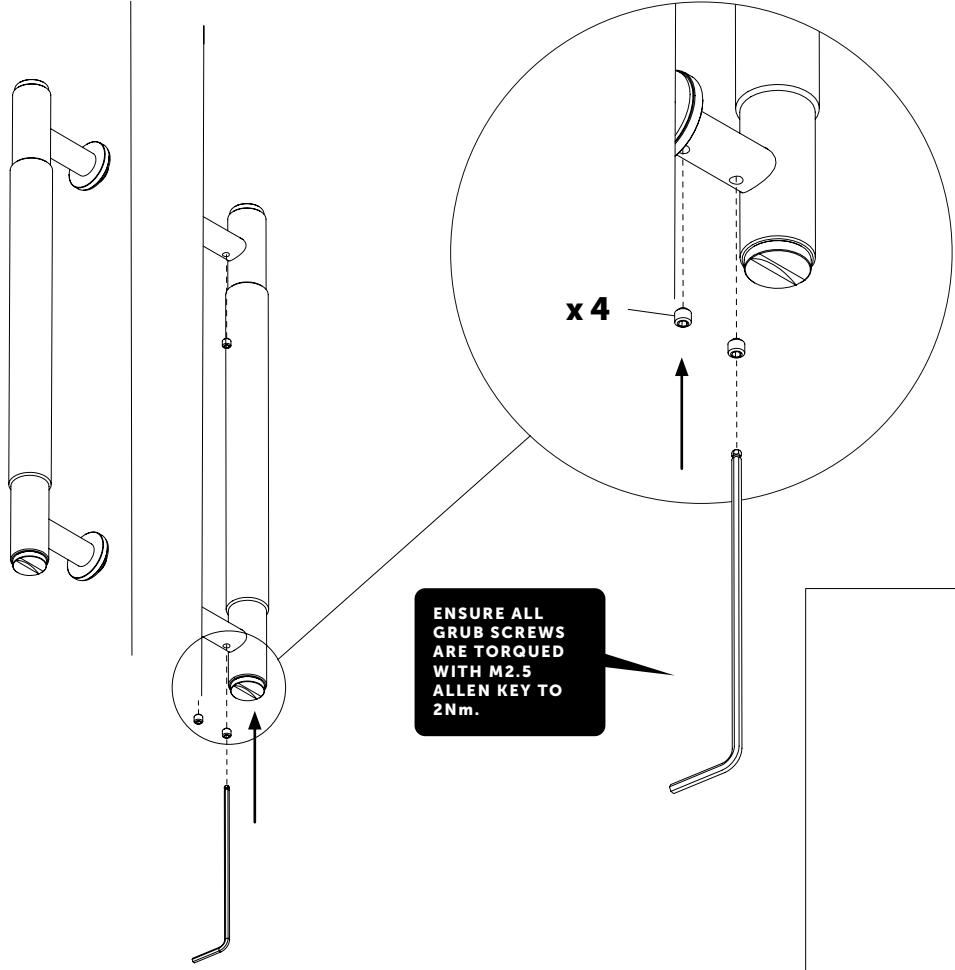
 **THREADED SIDE MUST ALWAYS BE ON PULL SIDE OF DOOR FOR SECURITY / EMERGENCY EXIT USE.**



5



6



ENSURE ALL GRUB SCREWS ARE TORQUED WITH M2.5 ALLEN KEY TO 2Nm.

